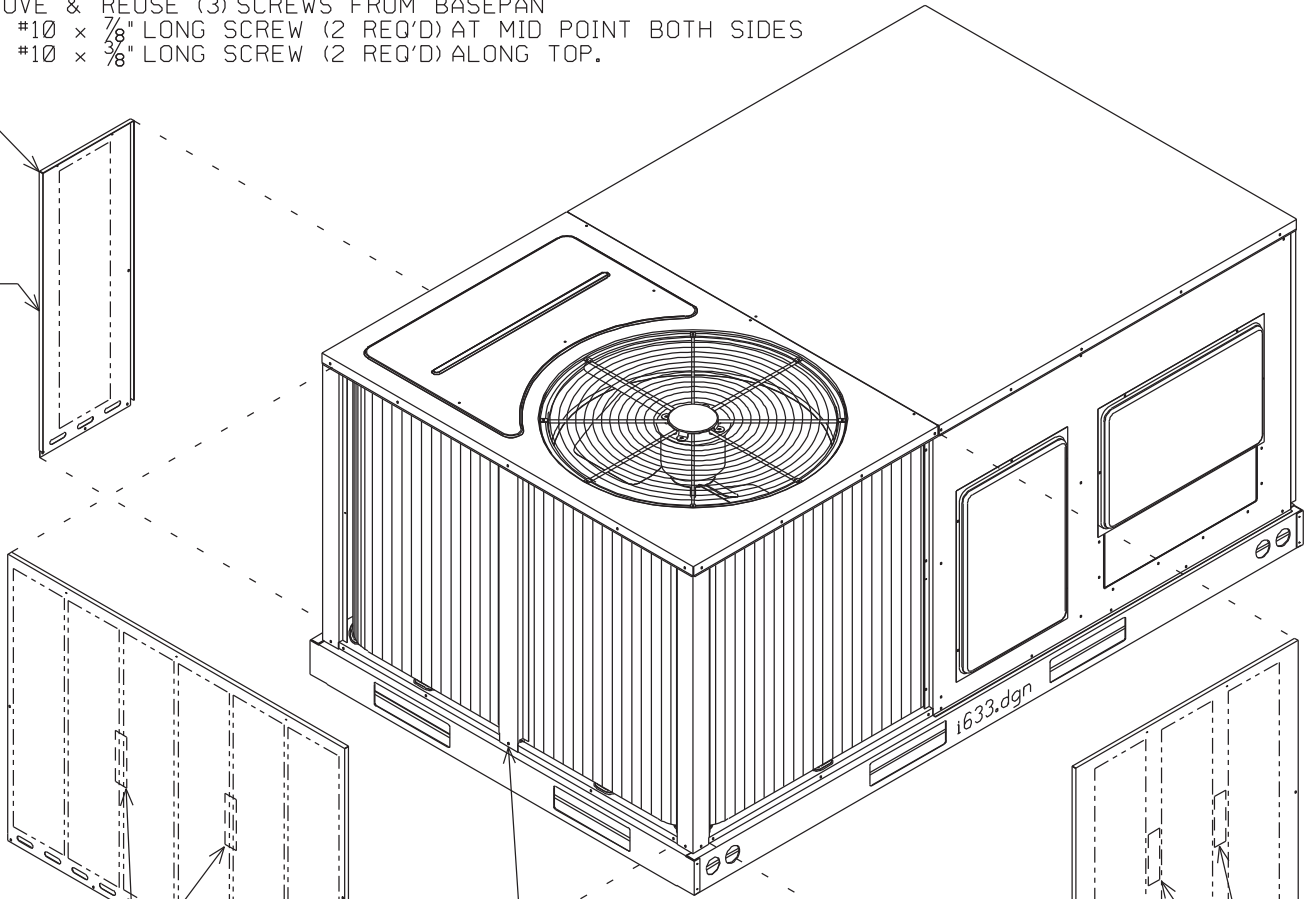


LOUVERED PANEL, AE-59028-01  
REMOVE & REUSE (3) SCREWS FROM BASEPAN  
USE #10 x 7/8" LONG SCREW (2 REQ'D) AT MID POINT BOTH SIDES  
USE #10 x 3/8" LONG SCREW (2 REQ'D) ALONG TOP.

THIS LOUVERED PANEL  
NOT REQUIRED ON  
3-TON MODELS WITH  
MICRO CHANNEL COILS.



APPLY STRIPPING (6" LONG)  
TO INSIDE PANEL ON UNITS  
WITH MICRO CHANNEL COIL.  
(2) PLACES

REMOVE & DISCARD TOP  
SUPPORT CHANNEL, IT IS  
NOT REQUIRED WITH LOUVER  
PANELS INSTALLED.

APPLY STRIPPING (6" LONG)  
TO INSIDE PANEL ON UNITS  
WITH MICRO CHANNEL COIL.  
(2) PLACES

LOUVERED PANEL, AE-59028-03  
REMOVE & REUSE (5) SCREWS FROM BASEPAN  
USE #10 x 7/8" LONG SCREW (2 REQ'D) AT MID POINT BOTH SIDES  
USE #10 x 3/8" LONG SCREW (3 REQ'D) ALONG TOP.

LOUVERED PANEL, AE-59028-02  
REMOVE & REUSE (3) SCREWS FROM BASEPAN  
USE #10 x 7/8" LONG SCREW (2 REQ'D) AT MID POINT BOTH SIDES  
USE #10 x 3/8" LONG SCREW (2 REQ'D) ALONG TOP.

## INSTALLATION INSTRUCTIONS

