

R E V	01	FIRST TIME RELEASED	TEW	X-0151S027 12-17-19		

R&D DEPARTMENT PRINTED MATERIAL

NOTE:

WHEN PRINTED MATERIAL IS RECEIVED ON THIS PART NUMBER, CHECK THAT THE REVISION IS CORRECT AND THAT ANY SPECIAL INSTRUCTIONS LISTED BELOW WERE FOLLOWED.

THE 2D DATA MATRIX AND THE MANUFACTURES PART NUMBER ARE TO BE PRINTED ON I&O COVER SHEET. SEE ADS-104669-01 FOR DATA MATRIX SPECIFICATIONS.

SPECIAL INSTRUCTIONS

(3) 5/16" DIA. HOLES (TO FIT 3-RING BINDER) REQUIRED ALONG LEFT EDGE OF BOOKLET

CHECKED BY: <i>MD</i>	APPROVED BY: <i>RP</i>	RELIAB. ENGR.:	VENDOR APPROVAL:	DR. BY: TEW DATE: 12-17-19	ORIGINAL RELEASE No.: X-0151S027	MATERIAL:
INSTALLATION INSTRUCTIONS FOR ROOFCURBS (-)XKG-DDD14 & (-)XKG-DDD24					PART NO. SHEET NO. 92-107192-07	REV. 01

INSTALLATION INSTRUCTIONS

MODEL# RXKG-DDD14 and RXKG-DDD24

ROOF CURBS

This Roof Curb is built to NRCA specifications and is constructed of 18 gauge galvanized steel with a full perimeter 1" x 4" wood nailer strip. Curb height is determined by the part number as listed below.

RXKG-DDD14 = 14 inches high
 RXKG-DDD24 = 24 inches high

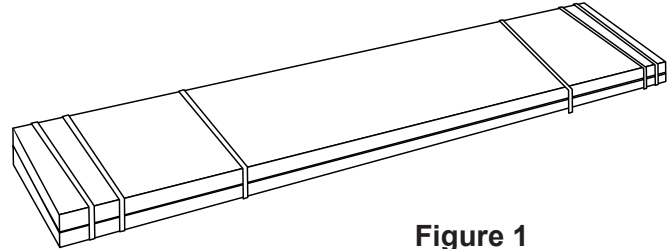


Figure 1

STEP 1:

Immediately upon receipt curb package should be checked for transit damage. If damage is detected, it should be noted on the delivery papers and a damage claim filed with the last carrier. Compare curb contents to PACKAGE CONTENTS List (TABLE 1) to note any missing parts.

Table 1 - Package Contents				
ITEM	DESCRIPTION	QTY	14" Tall RXKG-DDD14	24" Tall RXKG-DDD24
1	Curb long side - 85 3/8" long (a)	2	CRBK-009	CRBK-R002
2	Curb short side - 50" long (b)	2	CRBK-R008	CRBK-R001
3	Curb cross support - 53 1/2" long (c)	1	CRBK-R010	CRBK-R010
4	Deck pan - no utility hole - 53" long (d)	3	CRBK-R013	CRBK-R013
5	Deck pan - with utility hole - 53" long (e)	1	CRBK-R014	CRBK-R014
6	Curb long support - 42" long (f)	1	CRBK-R011	CRBK-R011
7	Curb short support - 33 3/8" long (g)	1	CRBK-R012	CRBK-R012
8	Curb gasket seal - 1/4" x 1 1/2" x 16'	2	9430-0100	9430-0100

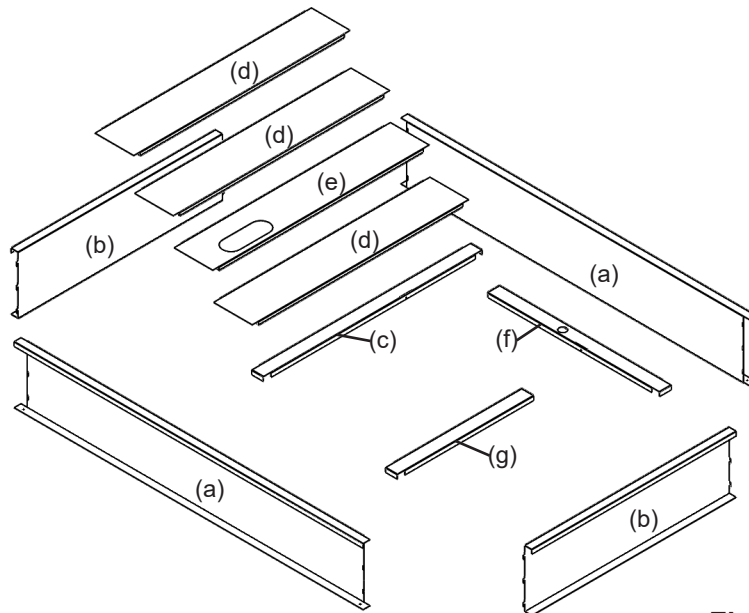


Figure 2

Step 2:

Lay out curb pieces before assembly to ensure that all necessary pieces are included (SEE FIGURE 2).

INSTALLATION INSTRUCTIONS
MODEL# RXKG-DDD14 and RXKG-DDD24
ROOF CURBS

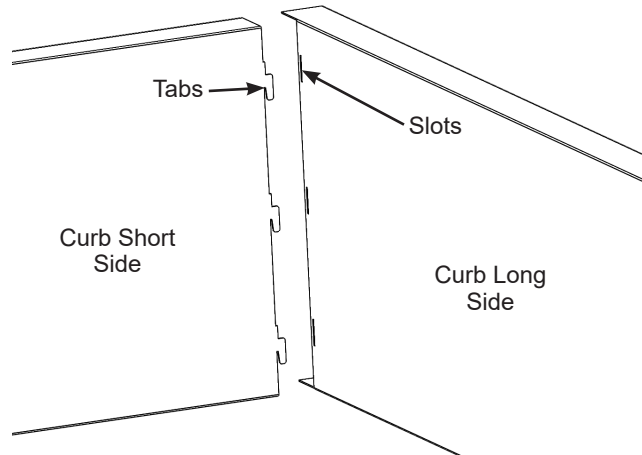


Figure 3

STEP 3:

Cut roof opening per **FIGURE 5**, or if using special duct kits refer to their provided instructions. Opening should be safely covered while working on and around opening and curb.

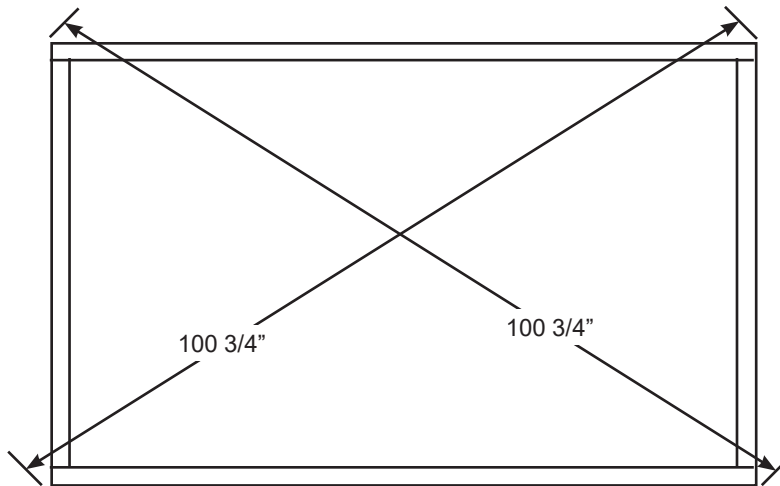


Figure 4

Step 4:

Corner Assembly. Align the CURB SHORT SIDE (b), which has the mating tabs, with the CURB LONG SIDE, which has the mating slots (**SEE FIGURE 3**). Insert the tabs into the slots and push down on the CURB SHORT SIDE until the tabs lock in place. When the tabs are locked in place, the curb corners cannot be separated. Repeat steps for all 4 corners.

INSTALLATION INSTRUCTIONS

MODEL# RXKG-DDD14 and RXKG-DDD24

ROOF CURBS

Step 5:

After all four corners are assembled, the curb must be "squared up". Do this by measuring diagonally from each opposite corner (SEE FIGURE 4). The two measurements should be the same for each direction.

Step 6:

Install the insulated deck pans on to top perimeter of the curb. Note: the insulation will be facing down toward the roof. The deck pan (e) with the utility hole cut out must be located as shown in FIGURES 2 and 5 for it to line up correctly with the unit. The deck pans do not screw in place but are held in place by the weight of the unit.

STEP 6:

Install the CURB CROSS SUPPORT (c) in front of the deck pans towards the duct openings (SEE FIGURE 2 and 5). The support will lay over the top of the curb perimeter.

STEP 7:

Install the CURB LONG SUPPORT (f) - SEE FIGURES 2 and 5. Make sure the support is oriented correctly by checking measurement in FIGURE 5 to the center of the condensate hole. The end of the support will slide into a slot in the CROSS SUPPORT (c). Verify location by comparing to dimensions on FIGURE 5.

STEP 8:

Install CURB SHORT SUPPORT (g) - SEE FIGURES 2 and 5. The end of this support will slide into a slot on the LONG DUCT SUPPORT (f).

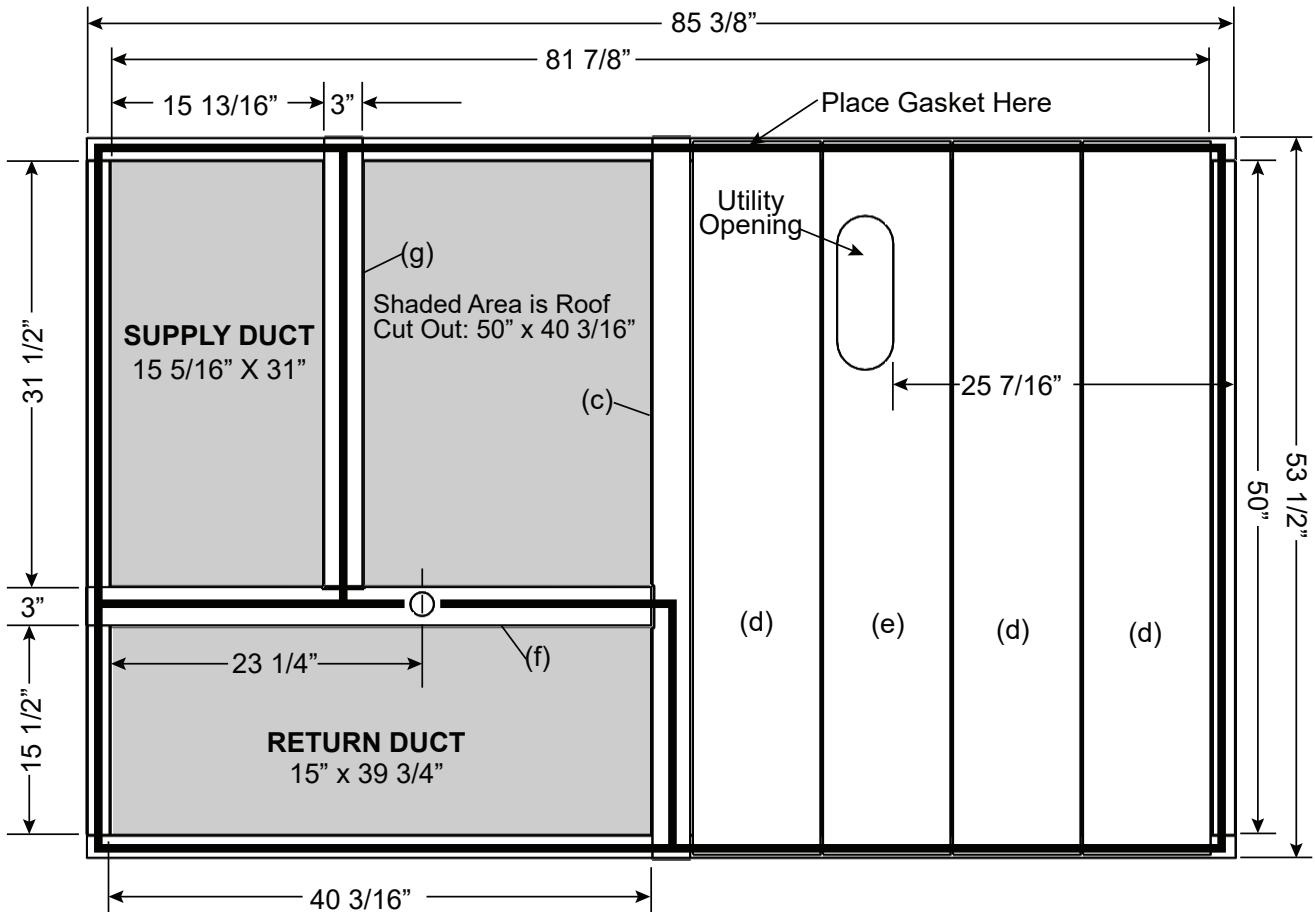


Figure 5 - Top View

INSTALLATION INSTRUCTIONS
MODEL# RXKG-DDD14 and RXKG-DDD24
ROOF CURBS

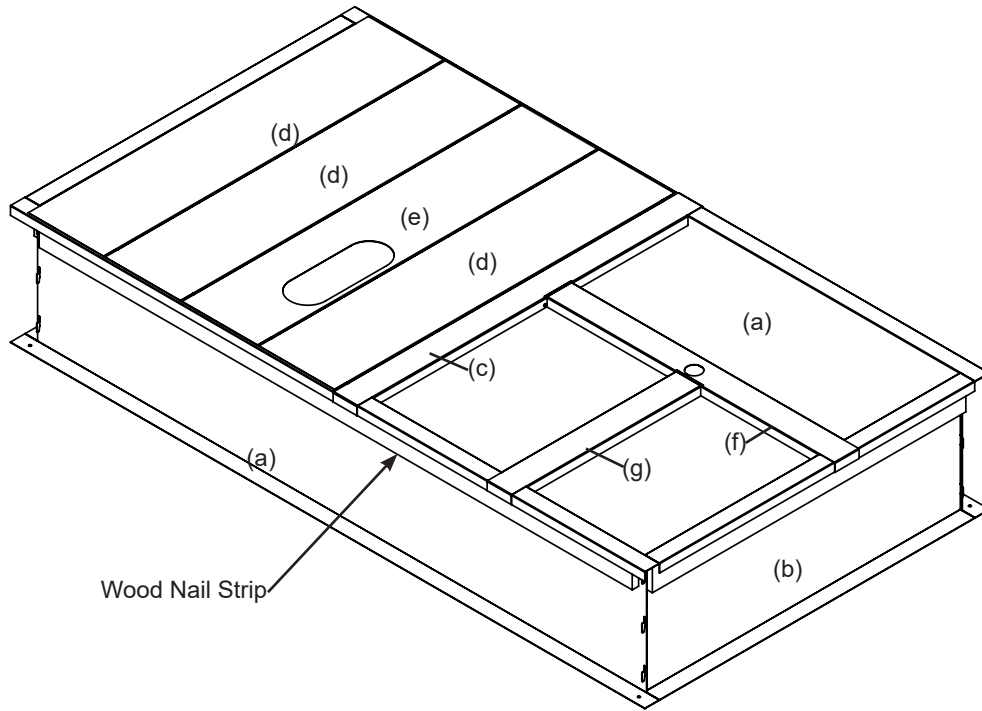


Figure 6

STEP 9:

Install provided gasket onto roof curb's top perimeter. This is important to provide a watertight seal between the curb and the unit. Peel the backing paper off the gasket and install it on the top perimeter as shown in **FIGURE 5**.

STEP 10:

Roof curb can be secured to the roof structure through holes in the bottom flanges of the CURB SHORT SIDES and CURB LONG SIDES, or by other means that meets local and industry building codes.

STEP 11:

The CURB SHORT SIDES and CURB LONG SIDES have wood nailers toward the top, which allows for roofing materials to be attached to the roof curb. Roof-in the curb **SEE FIGURE 7**. Follow all local and industry codes

ROOF INSTRUCTIONS

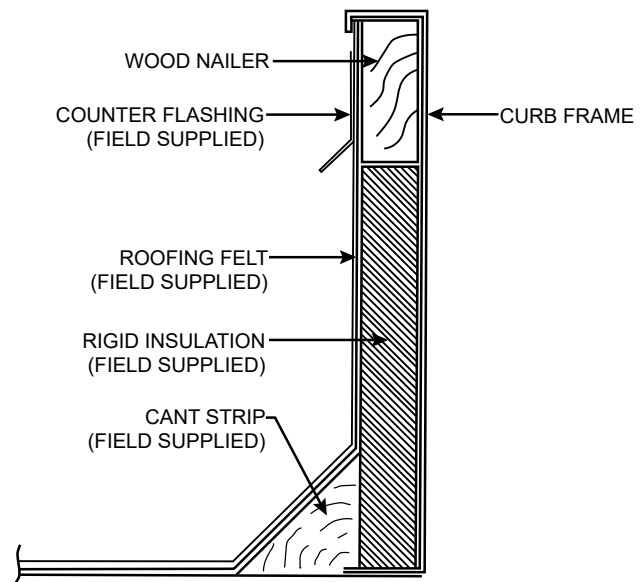


Figure 7