

INSTALLATION INSTRUCTIONS

MODEL (-)XRF - FBB1

0-35% MOTORIZED OUTSIDE AIR

The 0-35% manual outside air system is designed to replace the unit duct cover. No drilling on the unit or field assembly is required. A 2-position control motor opens the intake damper when the blower is energized. The amount of air is controlled by a slide damper on the damper motor. The intake panel is fully insulated.

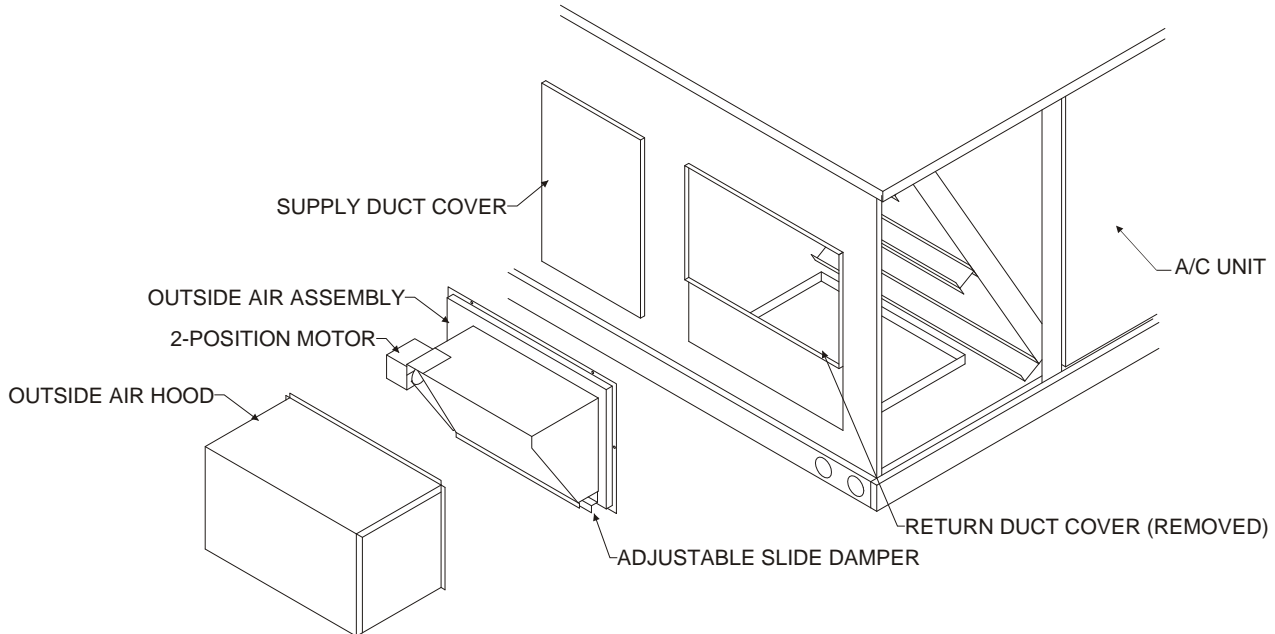


Figure 1

Step 1:

Check for correct number of parts. See list below:

- 1 ea. - Outside Air Intake damper assembly with hood and slide damper.

Step 2:

Remove return air duct cover from unit, and save the screws.

Step 3:

Reach through return duct cover opening and locate the unit economizer harness. **Older units use a 9-socket female & 2-socket female economizer harness with a 9-pin male jumper plug - Go to Step 4.** Newer units use a 12-pin male economizer harness with a 12-socket female jumper plug. **NOTE:** Some newer units may have a smoke detector in place of the 12-socket female jumper plug from the package unit (see motorized fresh air damper wiring diagram) - **Go to Step 5.**

Step 4:

Remove and save the 9-pin male jumper plug from the package unit for diagnostic purposes. The motorized fresh air damper includes a 12-pin to 9-pin adapter harness already installed (see part 300001190 on motorized fresh air damper wiring diagram). Connect the 9-socket female unit economizer harness to the 9-pin male damper harness. **The 12-pin male harness on the damper and the 2-socket female unit economizer harness are not used. Go to Step 6.**

Step 5:

Remove the 12-socket female jumper plug from the package unit and connect it to the 12-pin male harness on the damper. The motorized fresh air damper wire harness has a male 9-pin to 12-pin adapter harness, a female 12-socket plug and a male 12-pin plug. **Remove and discard the 12-pin to 9-pin adapter harness** (see part 300001190 on the motorized fresh air damper wiring diagram). Plug the 12-socket female damper harness into the 12-pin male economizer harness on the unit.

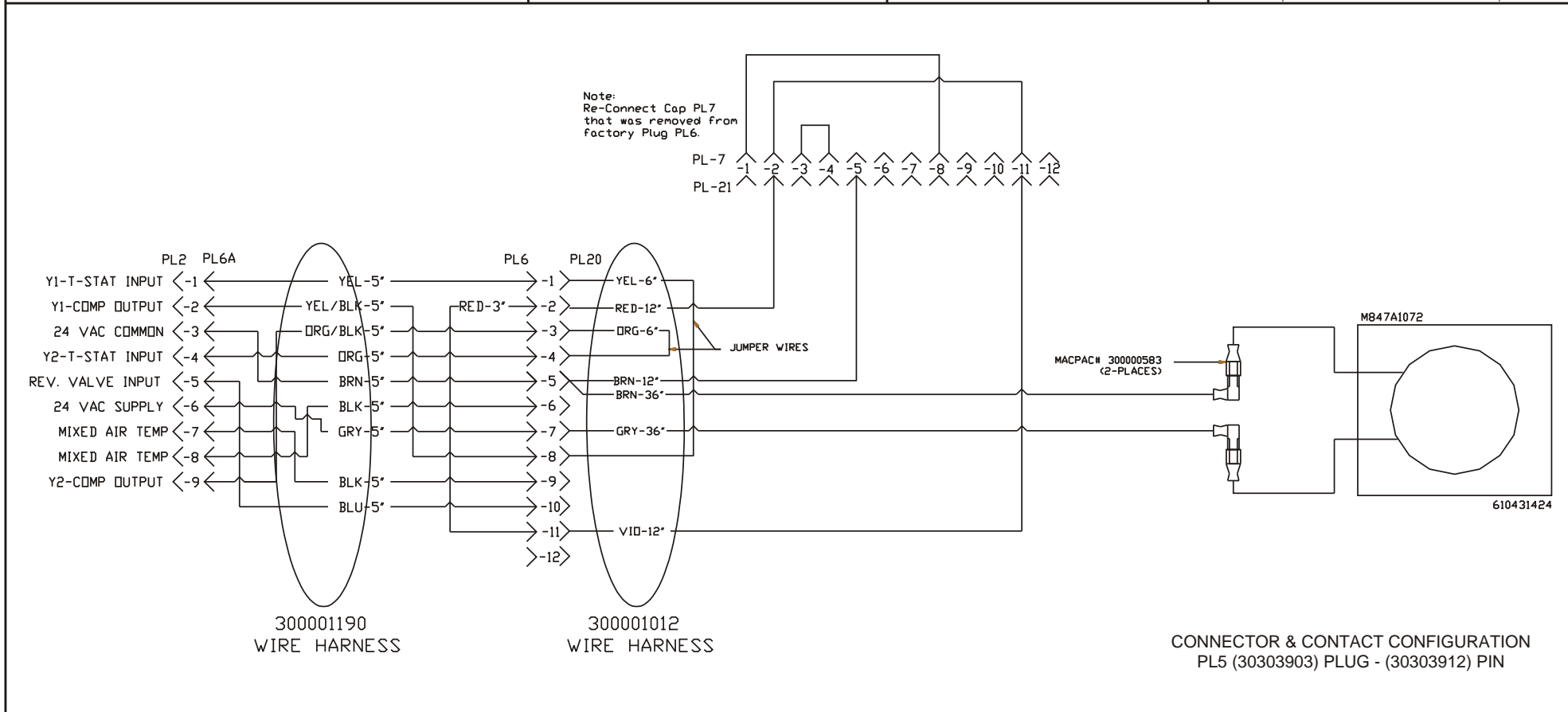
Step 6:

Install outside air assembly as shown on Figure 1 over duct opening using screws removed in **Step 2.**

Step 7:

Adjust the slide damper to the desired position.

HARNESS DETAIL	COMPONENT CODE	WIRE COLOR CODE	Revision	Change	Date
			A	ECN# 7393	09-09-15
HARNESS ENDS AT PL6 & PL7	M847A	Damper Actuator 24v			
	PL6	Male A/C Unit Plug			
	PL7	Female A/C Unit Plug			
	PL20	Female Damper Plug			
	PL21	Male Smoke Plug			
		BLK	Black		
		BLU	Blue		
		BRN	Brown		
		GRN	Green		
		ORG	Orange		
		RED	Red		
		WHT	White		
		YEL	Yellow		



Notes:

- Unit wiring shown as reference only. Check unit wiring for actual unit wiring.

0-35% MOTORIZED DAMPER
RKNA/LNA/JNA 036-060
RKKA/JKA/LKA/KMA/JMA/LMA/KNL/LNL/JNL 036-072

RRS ROOFTOP
SYSTEMS

1625 Diplomat Drive
 Carrollton, Texas 75006
 Phone (972) 247-7447
 Fax (972) 243-0940

Date: September 9, 2015

Supersedes: 07-09-14

Drawn by: MGL

Unit #: 60-287-20C

Diagram#: 6028720cw

Approved by: